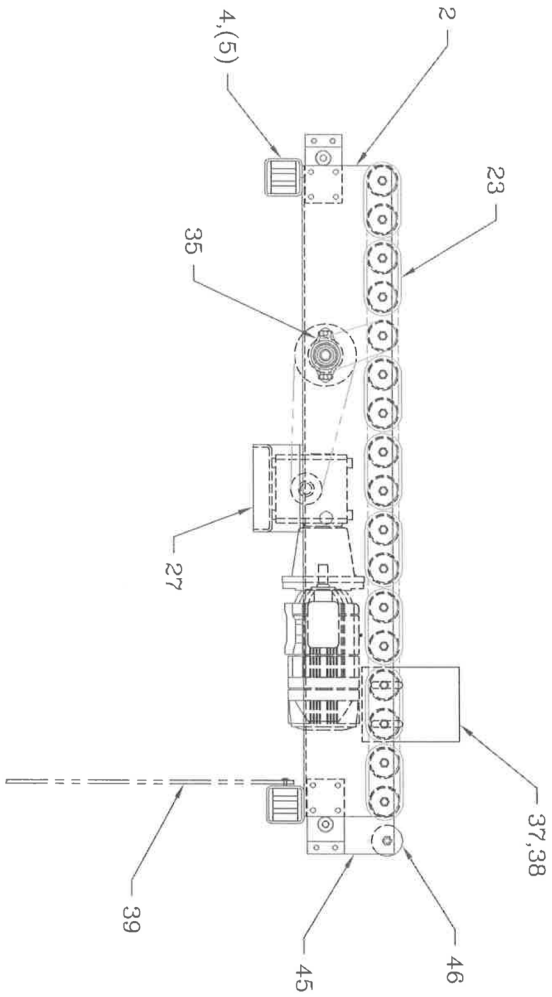
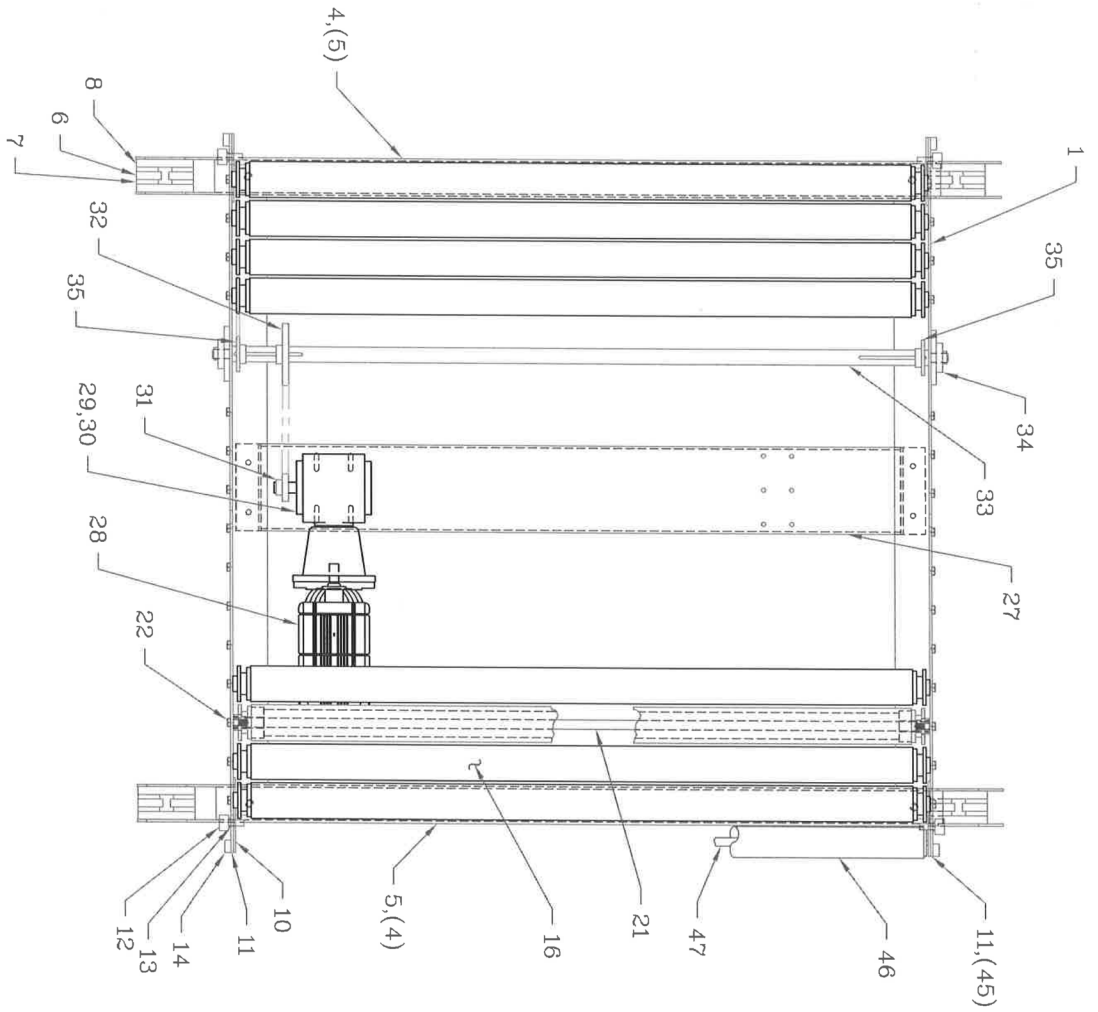


1 2 3 4 5 6 7 8 9 10 11 12 13 14 15 16 17 18 19 20 21 22 23 24 25 26 27 28 29 30 31 32 33 34 35 36 37 38 39



CURRIE MACHINERY CO.
 SANTA CLARA, CALIFORNIA

DATE
 6/18/96

SCALE _____ MATERIAL: _____

DRAWN BY WK

LSP-8, HSP-6 POWERED ROLLER BED



Quote

Remit To:
Brenton, LLC
PO Box 73025
Cleveland, OH 44193

Estimate: ESP4101853
Customer Quote: LSP-8ELEVROLLBED24167
QuoteDate: 2022-06-10
Expiration Date: 2022-07-10
Customer Currency: USD
Terms: NET 30 DAYS

Customer: C000448
Brenton, LLC
4750 County Road 13 NE
Alexandria MN 56308
UNITED STATES

Ship To: 0
Brenton, LLC
4750 County Road 13 NE
Alexandria MN 56308
UNITED STATES

Salesperson: Cindy Trousil
Email: cindy.trousil@promachbuilt.com
Phone: 320-852-8228

Customer Contact:
Email:
Phone: (320)852-7705

Line	Item	Quantity	UM	Unit Price	Total Amount
1	Item: 24076-1PT CI: ROLLER BED SIDE FRAME PART NUMBER ON PRINT 1	Ordered: 1 On Hand: 0	EA	0.00 Lead Time: 38 Days Est. Ship: 2022-07-18	0.00
2	Item: 24076-2PT CI: ROLLER BED SIDE FRAME PART NUMBER ON PRINT 2	Ordered: 1 On Hand: 0	EA	0.00 Lead Time: 38 Days Est. Ship: 2022-07-18	0.00
3	Item: 23980-1PT CI: LIFT TUBE (STD) PART NUMBER ON PRINT 4	Ordered: 1 On Hand: 0	EA	0.00 Lead Time: 38 Days Est. Ship: 2022-07-18	0.00
4	Item: 23980-2PT CI: LIFT TUBE (STD) PART NUMBER ON PRINT 5	Ordered: 1 On Hand: 0	EA	0.00 Lead Time: 38 Days Est. Ship: 2022-07-18	0.00
5	Item: 24253EN CI: LIFT PLATE PART NUMBER ON PRINT 6	Ordered: 8 On Hand: 0	EA	0.00 Lead Time: 38 Days Est. Ship: 2022-07-18	0.00
6	Item: 24254EN CI: LIFT PLATE SPACER	Ordered: 16 On Hand: 0	EA	0.00 Lead Time: 38 Days Est. Ship: 2022-07-18	0.00



Quote

Remit To:
Brenton, LLC
PO Box 73025
Cleveland, OH 44193

Estimate: ESP4101853
Customer Quote: LSP-8ELEVROLLBED24167
QuoteDate: 2022-06-10
Expiration Date: 2022-07-10
Customer Currency: USD
Terms: NET 30 DAYS

Line	Item	Quantity	UM	Unit Price	Total Amount
7	Item: 24255EN CI: LIFT PLATE SPACER "B" PART NUMBER ON PRINT 8	Ordered: 8 On Hand: 0 Est. Ship: 2022-07-18	EA	0.00 Lead Time: 38 Days	0.00
8	Item: 24122NO CI: GUIDE PLATE PART NUMBER ON PRINT 10	Ordered: 4 On Hand: 13 Est. Ship: 2022-07-18	EA	0.00 Lead Time: 38 Days	0.00
9	Item: 24123NO CI: GUIDE PLATE SPACER PART NUMBER ON PRINT 11	Ordered: 4 On Hand: 0 Est. Ship: 2022-07-18	EA	0.00 Lead Time: 38 Days	0.00
10	Item: 24081NO CI: CAM FOLLOWER 1 1/4" PART NUMBER ON PRINT 12	Ordered: 4 On Hand: 0 Est. Ship: 2022-07-18	EA	0.00 Lead Time: 38 Days	0.00
11	Item: 24082NO CI: CAM FOLLOWER CLAMP SPACER PART NUMBER ON PRINT 13	Ordered: 4 On Hand: 0 Est. Ship: 2022-07-18	EA	0.00 Lead Time: 38 Days	0.00
12	Item: 24080NO CI: GUIDE PAD PART NUMBER ON PRINT 14	Ordered: 4 On Hand: 8 Est. Ship: 2022-07-18	EA	0.00 Lead Time: 38 Days	0.00
13	Item: 22968 CI: POWER BED ROLLER ASSEMBLY PART NUMBER ON PRINT 16	Ordered: 9 On Hand: 0 Est. Ship: 2022-07-18	EA	0.00 Lead Time: 38 Days	0.00
14	Item: 22969NO CI: ROLLER PART NUMBER ON PRINT 17	Ordered: 1 On Hand: 0 Est. Ship: 2022-07-18	EA	0.00 Lead Time: 38 Days	0.00



Quote

Remit To:
Brenton, LLC
PO Box 73025
Cleveland, OH 44193

Estimate: ESP4101853
Customer Quote: LSP-8ELEVROLLBED24167
QuoteDate: 2022-06-10
Expiration Date: 2022-07-10
Customer Currency: USD
Terms: NET 30 DAYS

Line	Item	Quantity	UM	Unit Price	Total Amount
15	Item: 20260.01NO CI: P.R.B. ROLLER HUB PART NUMBER ON PRINT 18	Ordered: 2 On Hand: 0 Est. Ship: 2022-07-18	EA Lead Time: 38 Days	0.00	0.00
16	Item: 725219 CI: BRONZE BUSHING 0.75 X 1.0 X 1.0 PART NUMBER ON PRINT 19 OLD PART NUMBER 6434	Ordered: 2 On Hand: 12 Est. Ship: 2022-07-18	EA Lead Time: 38 Days	0.00	0.00
17	Item: 20261.01NO CI: ROLLER SPROCKET PART NUMBER ON PRINT 20	Ordered: 1 On Hand: 0 Est. Ship: 2022-07-18	EA Lead Time: 38 Days	0.00	0.00
18	Item: 22970NO CI: ROLLER AXLE PART NUMBER ON PRINT 21	Ordered: 9 On Hand: 0 Est. Ship: 2022-07-18	EA Lead Time: 38 Days	0.00	0.00
19	Item: 21030NO CI: ROLLER AXLE BOLT (STND) **QTY BRK 3** PART NUMBER ON PRINT 22	Ordered: 18 On Hand: 0 Est. Ship: 2022-07-18	EA Lead Time: 38 Days	0.00	0.00
20	Item: 727456 CI: 22 PITCHES INCL 1-739651 CONN LINK, PART NUMBER ON PRINT 23 OLD PART NUMBER 20262	Ordered: 1 On Hand: 0 Est. Ship: 2022-07-18	EA Lead Time: 38 Days	0.00	0.00
21	Item: 20262.1NO CI: ROLLER TO ROLLER CHAIN PART NUMBER ON PRINT 24	Ordered: 7 On Hand: 0 Est. Ship: 2022-07-18	EA Lead Time: 38 Days	0.00	0.00
22	Item: 24083 CI: MOTOR MOUNT	Ordered: 1 On Hand: 0 Est. Ship: 2022-07-18	EA Lead Time: 38 Days	0.00	0.00



Quote

Remit To:
Brenton, LLC
PO Box 73025
Cleveland, OH 44193

Estimate: ESP4101853
Customer Quote: LSP-8ELEVROLLBED24167
Quote Date: 2022-06-10
Expiration Date: 2022-07-10
Customer Currency: USD
Terms: NET 30 DAYS

Line	Item	Quantity	UM	Unit Price	Total Amount
	PART NUMBER ON PRINT 27				
23	Item: 725701 CI: MOTOR 1.00 HP 56C 7/8" OUTPUT SHAFT	Ordered: 1 On Hand: 0	EA	0.00 Lead Time: 38 Days	0.00
	Est. Ship: 2022-07-18				
	PART NUMBER ON PRINT 28				
	OLD PART NUMBER 11807				
24	Item: 725141 CI: REDUCER	Ordered: 1 On Hand: 0	EA	0.00 Lead Time: 38 Days	0.00
	Est. Ship: 2022-07-18				
	PART NUMBER ON PRINT 29				
	OLD PART NUMBER 14125				
25	Item: 725081 CI: 7/8" BORE 10 TOOTH (CMC 14438)(CMC 14160)	Ordered: 1 On Hand: 0	EA	0.00 Lead Time: 38 Days	0.00
	Est. Ship: 2022-07-18				
	PART NUMBER ON PRINT 31				
	OLD PART NUMBER 14160				
26	Item: 725202 CI: 1.25 FIN BORE, W/ KWY & TWO SS	Ordered: 1 On Hand: 0	EA	0.00 Lead Time: 38 Days	0.00
	Est. Ship: 2022-07-18				
	PART NUMBER ON PRINT 32				
	OLD PART NUMBER 20247				
27	Item: 22973NO CI: DRIVE SHAFT (STD)	Ordered: 1 On Hand: 0	EA	0.00 Lead Time: 38 Days	0.00
	Est. Ship: 2022-07-18				
	PART NUMBER ON PRINT 33				
28	Item: 704325 CI: 0.75 FLANGE SET LOCK GOLDLINE	Ordered: 2 On Hand: 0	EA	0.00 Lead Time: 38 Days	0.00
	Est. Ship: 2022-07-18				
	PART NUMBER ON PRINT 34				
	OLD PART NUMBER 6419				



Quote

Remit To:
Brenton, LLC
PO Box 73025
Cleveland, OH 44193

Estimate: ESP4101853
Customer Quote: LSP-8ELEVROLLBED24167
QuoteDate: 2022-06-10
Expiration Date: 2022-07-10
Customer Currency: USD
Terms: NET 30 DAYS

Line	Item	Quantity	UM	Unit Price	Total Amount
29	Item: 725203 CI: SPRK 1.25B W/ KEYWAY & 2 SETSCREWS PART NUMBER ON PRINT 35 OLD PART NUMBER 6421	Ordered: 2 On Hand: 2 Est. Ship: 2022-07-18	EA Lead Time: 38 Days	0.00	0.00
30	Item: 20248PT CI: PHOTOCELL BLINDER PART NUMBER ON PRINT 37	Ordered: 1 On Hand: 0 Est. Ship: 2022-07-18	EA Lead Time: 38 Days	0.00	0.00
31	Item: 20628PT CI: PHOTOCELL BLINDER (UNITIZER) PART NUMBER ON PRINT 38	Ordered: 1 On Hand: 0 Est. Ship: 2022-07-18	EA Lead Time: 38 Days	0.00	0.00
32	Item: 725080 CI: SAFETY SCREEN GALVANIZED 50" W PART NUMBER ON PRINT 39	Ordered: 1 On Hand: 46 Est. Ship: 2022-07-18	FT Lead Time: 38 Days	0.00	0.00
33	Item: 24310PT CI: SCREEN MOUNT ANGLE PART NUMBER ON PRINT 40	Ordered: 1 On Hand: 0 Est. Ship: 2022-07-18	EA Lead Time: 38 Days	0.00	0.00
34	Item: 24311NO CI: SCREEN SUPPORT SPACER PART NUMBER ON PRINT41	Ordered: 3 On Hand: 0 Est. Ship: 2022-07-18	EA Lead Time: 38 Days	0.00	0.00
35	Item: 24405PT CI: GUIDE PLATE SPACER & ROLLER SUPPORT PART NUMBER ON PRINT 45	Ordered: 0 On Hand: 0 Est. Ship: 2022-07-18	EA Lead Time: 38 Days	0.00	0.00
36	Item: 25210NO CI: TRANSFER ROLLER-LSP-8 PART NUMBER ON PRINT 46	Ordered: 1 On Hand: 0 Est. Ship: 2022-07-18	EA Lead Time: 38 Days	0.00	0.00



Quote

Remit To:
Brenton, LLC
PO Box 73025
Cleveland, OH 44193

Estimate: ESP4101853
Customer Quote: LSP-8ELEVROLLBED24167
QuoteDate: 2022-06-10
Expiration Date: 2022-07-10
Customer Currency: USD
Terms: NET 30 DAYS

Line	Item	Quantity	UM	Unit Price	Total Amount
37	Item: 25211NO CI: TRANSFER ROLLER AXLE PART NUMBER ON PRINT 47	Ordered: 1 On Hand: 0	EA	0.00	0.00
				Lead Time: 38 Days	
				Est. Ship: 2022-07-18	
38	Item: 24405PT CI: GUIDE PLATE SPACER & ROLLER SUPPORT PART NUMBER ON PRINT 50	Ordered: 1 On Hand: 0	EA	0.00	0.00
				Lead Time: 38 Days	
				Est. Ship: 2022-07-18	
39	Item: 24405.1PT CI: GUIDE PLATE SPACER & ROLLER SUPPORT PART NUMBER ON PRINT 57	Ordered: 1 On Hand: 0	EA	0.00	0.00
				Lead Time: 38 Days	
				Est. Ship: 2022-07-18	
Sale Amount:					0.00
Surcharge:					N/A
Sales Tax:					0.00
Misc Charges:					0.00
Total Amount:					0.00

LIST
OF
MATERIAL

CURRIE MACHINERY COMPANY

TITLE LSP-B
ELEVATOR ROLLER BED
ASSEMBLY
ESP410853

ASSY NO.
24167

SHEET 1 OF 4

ITEM NO.	PART NO.	DESCRIPTION	PALLET 12/18/18	QUANTITY	QUANTITY		
1	24076-1	SIDE FRAME	1				
2	24076-2	" "	1				
3							
4		LIFT TUBE					
5		LIFT TUBE					
6	24253	LIFT PLATE	8	8			
7	24254	LIFT PLATE SPACER A	16	16			
8	24255	LIFT PLATE SPACER B	8	8			
9							
10	24122	CORNER GUIDE PLATE	4	4			
11	24123	GUIDE PLATE SPACER	4	4			
12	24081	GUIDE ROLLER	4	4			
13	24082	ROLLER SPACER	4	4			
14	24080	GUIDE PAD	4	4			
15							
16		ROLLER ASSY.					
17		ROLLER					
18	20260.01	HUB	2	2			
19	6434	BUSHING	2	2			
20	20261.01	SPROCKET					
21		ROLLER AXLE					
22	21030	AXLE BOLT	18	34			

LIST
OF
MATERIAL

CURRIE MACHINERY COMPANY

TITLE LSP-8
ELEVATOR ROLLER BED
ASSEMBLY

ASS'Y NO.
24167

SHEET 2 OF 4

ITEM NO.	PART NO.	DESCRIPTION	QUANTITY	
			PAINT TEST	USED
23	20262	ROLLER TO ROLLER CHAIN	1	1
24	20262.1	ROLLER TO ROLLER CHAIN	7	7
25				
26				
27		MOTOR MOUNT		
28	11807	MOTOR	1	1
29	14125	REDUCER 10:1	1	1 STD
30	22207	REDUCER 20:1	1	1
31	14160	REDUCER SPROCKET	1	1
32	20247	DRIVEN SPROCKET	1	1
33		DRIVE SHAFT		
34	6419	DRIVE SHAFT BEARING	2	2
35	6421	DRIVE SHAFT SPROCKET	2	2
36				
37	20248	PHOTOCELL BLINDER	1	1
38	20628	PHOTOCELL BLINDER	-	
39	20353	SAFETY SCREEN	1	1
40	24310	SCREEN SUPPORT ANGLE	1	1 (USE 9-3/16" COTTER PINS)
41	24311	SUPPORT ANGLE SPACER	3	3
42				
43				
44				

LIST
OF
MATERIAL

CURRIE MACHINERY COMPANY
 TITLE LSP-8
 ELEVATOR ROLLER BED
 ASSEMBLY
 ASS'Y NO.
 24167
 SHEET 3 OF 4

ITEM NO.	PART NO.	DESCRIPTION	PALLET LIST	UNIT	QUANTITY		
45	24405*	TRANSFER ROLLER SUPPORT PLATE	-				
46		TRANSFER ROLLER					
47		ROLLER AXLE					
48							
49							
50	24169	PALLET GUIDE ASSY	LM			AS REQ'D.	
51							
52							
53							
54							
55							
56							
57	24405.1	*IF POWERED ROLLER REQ'D					
58							
59							
60							
61							
62							
63							
64							
65							
66							

